

ALL SEASONS
COMFORT



*Reshape your spaces to live all seasons
you are in and give yourself the grace
to be there.*

SKY ART
Outdoor Living Systems



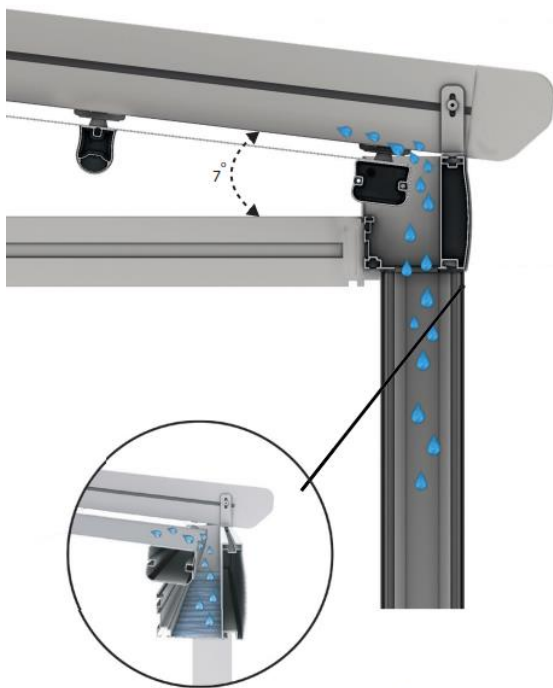
The retractable PVC pergola models are an aesthetic and economical system developed to enable you to benefit from your spaces in all four seasons of the year by maximizing your smaller outdoor areas.

Our guillotine, sliding or folding glass systems, which we call a winter garden and where you can close the pergola with glass, to create a comfortable and comfortable environment for all four seasons, are suitable for every type of pergola.

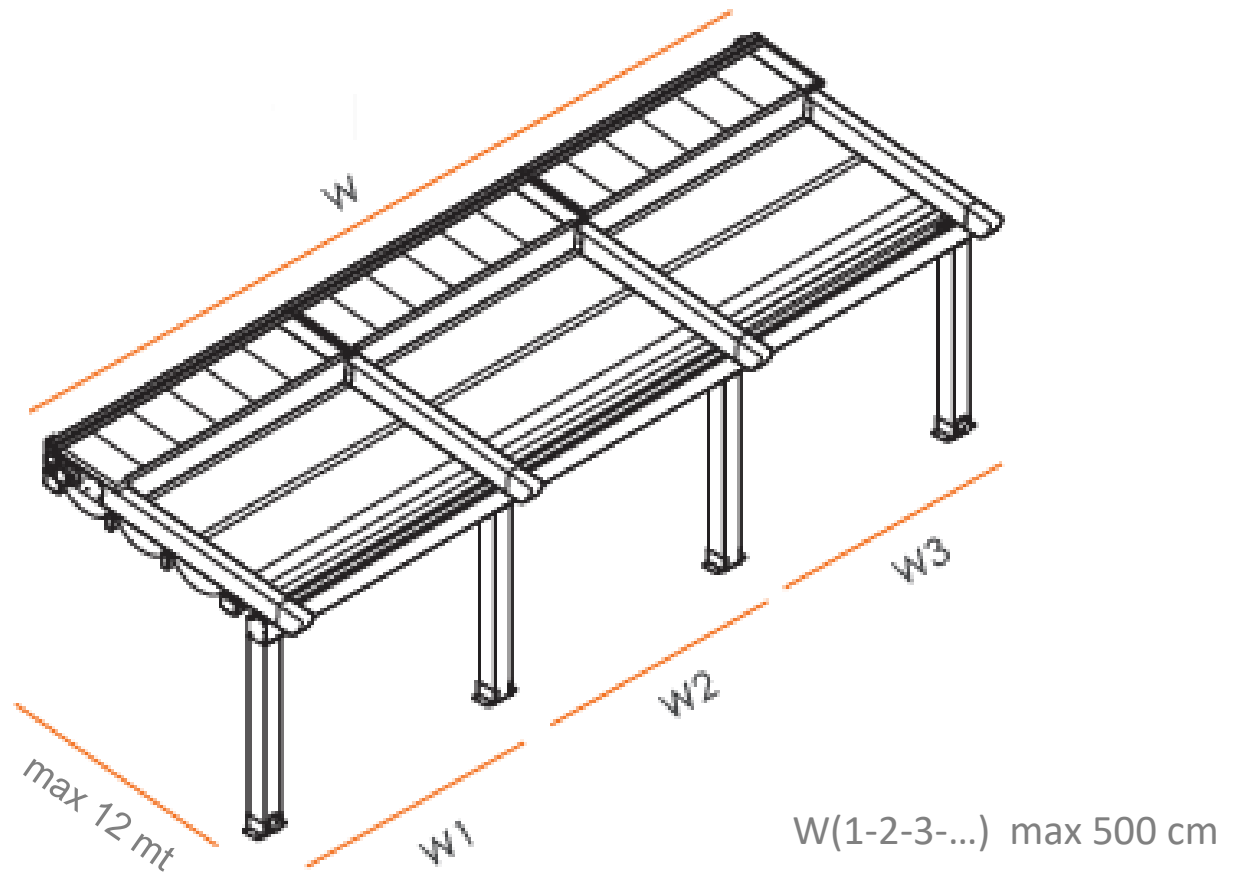
Black-out 3-layer Vinyl PVC fabric, which is the most preferred ceiling covering material in recent years, which reduces heat and light to minimum values, is used. In order to increase the working performance of this fabric system, a patented special design wheeled trolley is used.

It can be applied in all professional commercial areas such as cafes, restaurants, hotels or in personal terraces and gardens, it allows you to expand your usable spaces and adds freshness to your existing spaces.

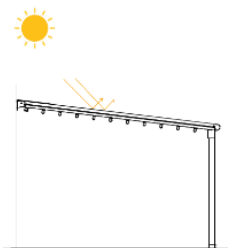
For system security, a special channel has been designed in the forefoot profiles, through which power lines can pass and which cannot be seen or touched from the outside.



TECHNICAL SPECIFICATIONS



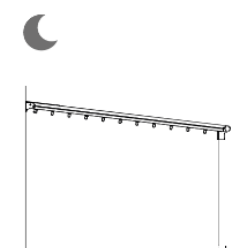
Materials	6063 T5 aluminium, stainless steel and delrin.
Rainwater Drainage	Free-flow drainage or slab channeling. Water is transferred from the tent to the edge profiles, water is transferred to the feet thereafter.
Wind Load Resistance Test	UNE-EN 13659: 2004 Class 6 // (approx. 112 km / h) not tested up to 190 km / h. No breakage was detected.
Snow Load Resistance Test	Standard EN-1999 EUROCODE 9 // 100 kg / m ² (including its own weight) aluminum structures project
Rain Test	Standard UNE-EN 12056-3 // (0.03 l/s max) Fixed heavy rain approx. 108 l.m ² /h (structures + lamels)
Slope	Sloped roof with a minimum slope of about 12% (7°)
Maximum dimensions	Projection 5000 mm; Width 4500 mm (2 rails) / 9000 mm (3 rails) / 13000 mm (4 rails)
Motorised operation	24V DC motor (low voltage) provides better safety against electric shocks. Additional earthing protection.
Finishes	In accordance with specifications for Qualicoat, Qualideco and Qualanod. RAL colour, anodized or wood effect finishes are available. 10 years of warranty for finishes.



Protection From The Sun



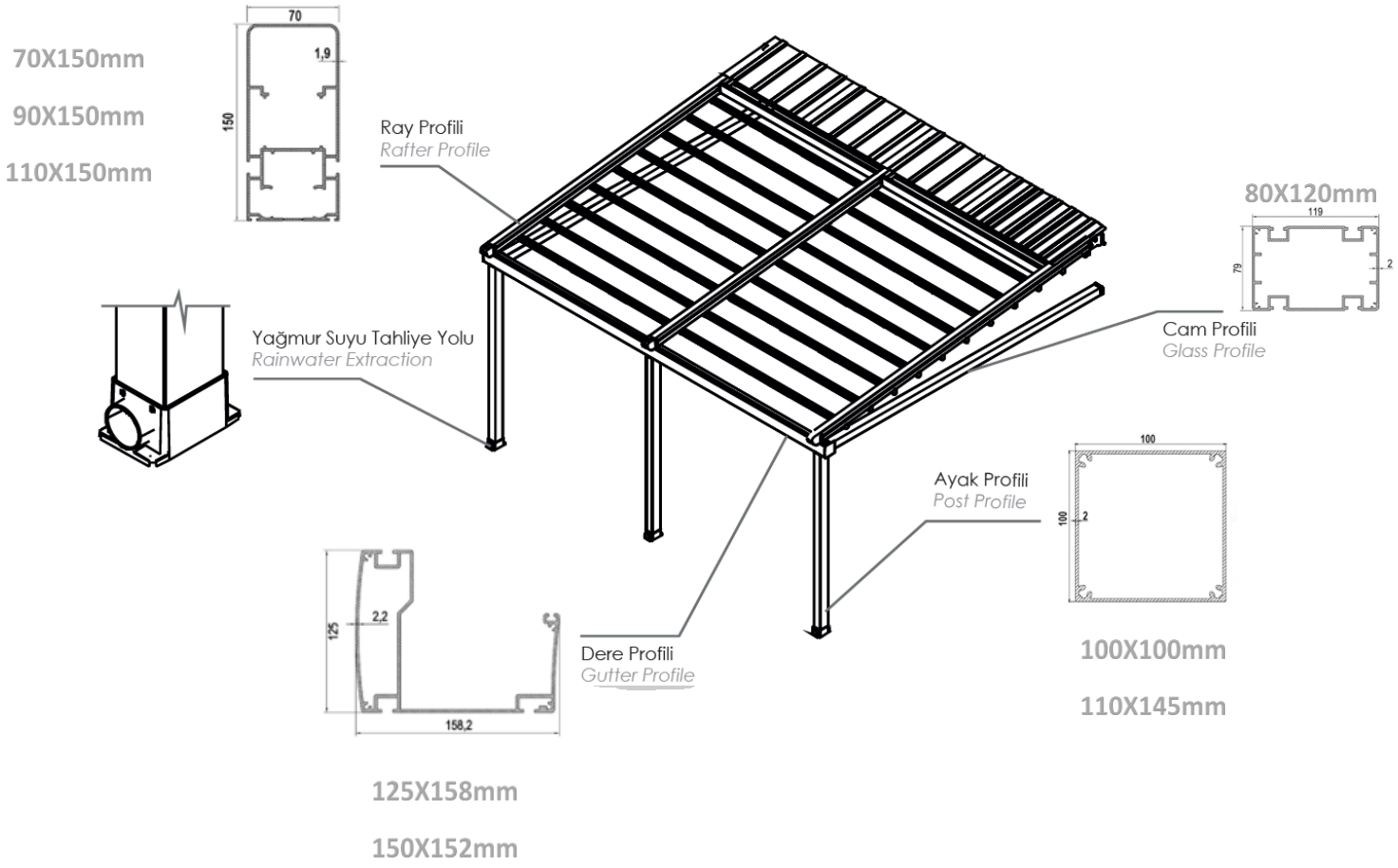
Natural Ventilation



Adjusting Of Temperature



Protection From Rain



FABRIC



TECHNISCHE DATEN TECHNICAL DATA	SPECIFICHE TECNICHE DATOS TÉCNICOS DONNÉES TECHNIQUES	STANDARDS	787 POLYPLAN Tent Opaque 3D	684 POLYPLAN Candy	666 POLYPLAN Thermofom Blockout
Grundgewebe base fabric	tessuto di base tejido base tissu	DIN 60001	Polyester	Polyester Anti-Wicking	Polyester
Bindung weave	armatura ligamento armure	DIN ISO 9354	1/1	1/1	1/1
Flächengewicht total weight	peso totale peso total poids total	DIN EN ISO 2286-2	780 (g/m ²)	690 (g/m ²)	1300 (g/m ²)
Höchstzugkraft max. tensile strength	resistenza alla trazione resistencia a la tracción résistance à la rupture	DIN EN ISO 1421	3000/3000 N/5 cm	3000/3000 N/5 cm	3000/3000 N/5 cm
Weiterreißkraft tear resistance	resistenza alla rottura resistencia al desgarre résistance à la déchirure amorcée	DIN 53 363	300/300 N	300/300 N	300/300 N
Haftung adhesion	adesione adherencia adhérence	DIN EN ISO 2411	100 (N/5 cm)	100 (N/5 cm)	150 (N/5 cm)
Kältebeständigkeit cold resistance	resistenza al freddo resistencia al frío résistance au froid	EN 1876	-50° C (Method 1)	-45° C (Method 2)	-30° C (Method 1)
Wärmebeständigkeit heat resistance	resistenza al caldo resistencia al calor résistance à la chaleur	IVK/Pkt.5	+70° C	+70° C	+70° C
Lichtechtheit light fastness	solidità alla luce solidez del color solidité des coloris	UNI EN ISO 105-B02	≥ 7	≥ 7	≥ 7
Lichttransmission light transmission	Trasmissione della luce (%) Transmisión de la luz (%) Transmission de la lumière (%)	EN 410	0%	38,75%	0%
Brandverhalten (Stets die Gültigkeit der FR-Zulassung prüfen) flame retardancy (Always check the validity of fire certificate.)	comportamento al fuoco (controllare sempre la validità della norma) comportamiento ante el fuego (comprobar siempre la validez de la certificación ignífuga FR) comportement au feu (toujours vérifier la validité de la norme ignifuge)	EN 13501-1 NF P 92 503	B-s3, d0 M2	B-s2, d0 M2	- M2
		others	see current technical data sheet		
Knickfestigkeit flex resistance	resistenza alla piegatura resistencia al doblado résistance à la flexion	DIN 53359-Form A	100.000	100.000	100.000
Garantie warranty	garanzia garantía garantie		7 years	7 years	5 years



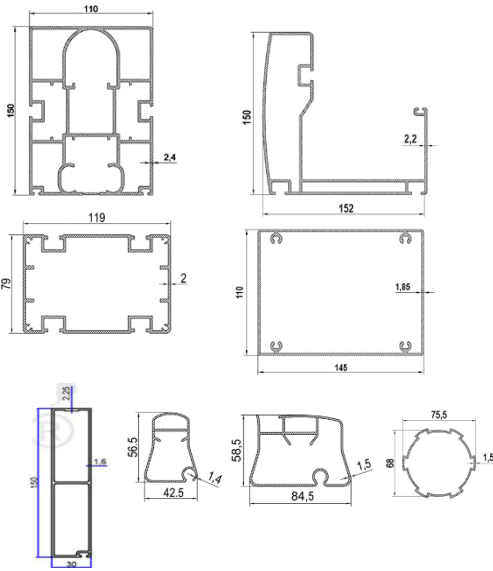
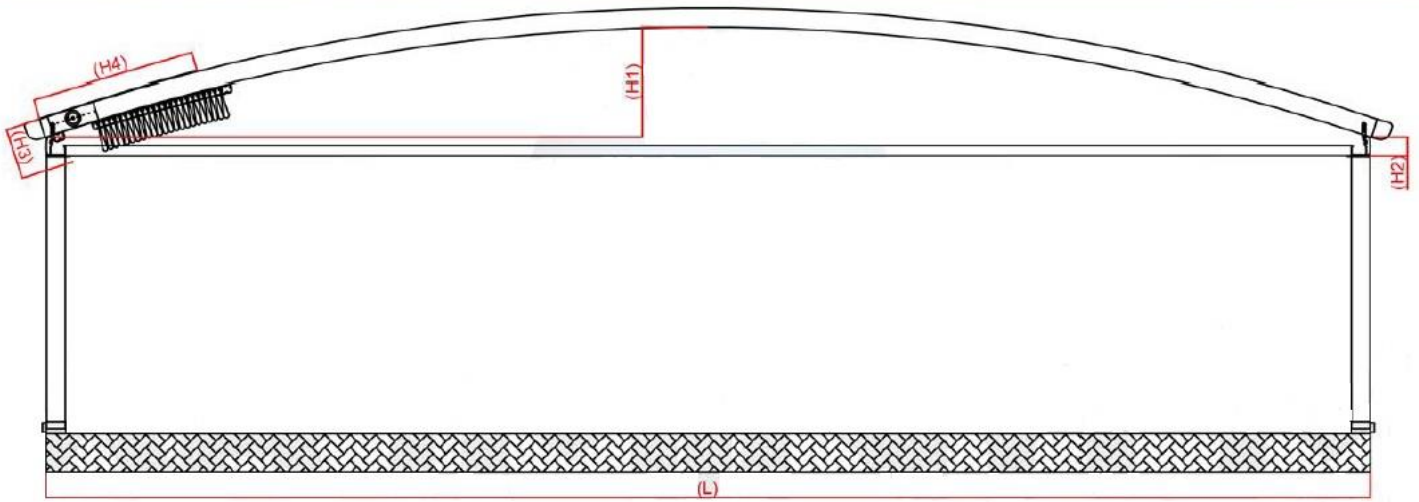
APPLICATIONS



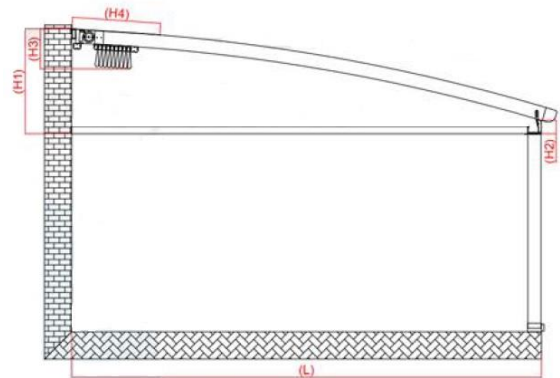
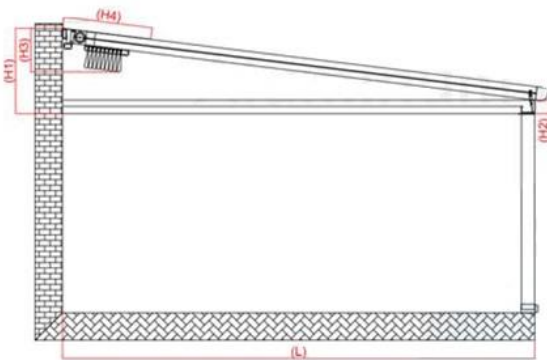
SPECIAL FEATURES



110x150 RAIL SYSTEM MEASUREMENT LIST



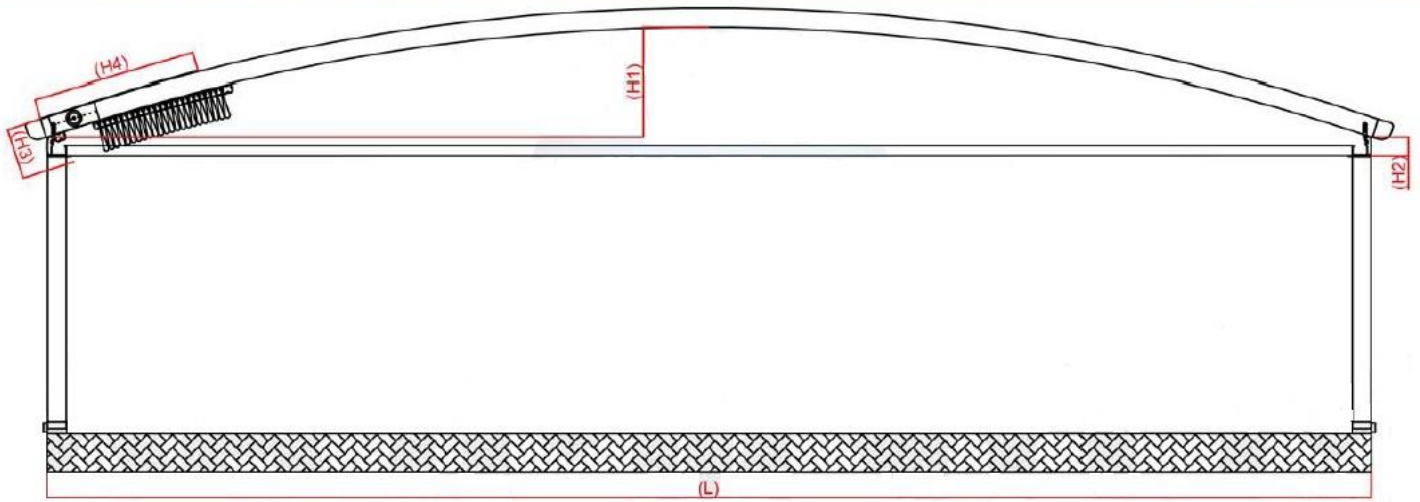
PROJECTION (L)	H(1)	H(2)	H(3)	H(4)	FABRIC PROFILE
300	50 CM	15 CM	41 CM	56 CM	5+2
350	55 CM			56 CM	5+2
400	60 CM			65 CM	7+2
450	65 CM			74 CM	9+2
500	70 CM			74 CM	9+2
550	75 CM			83 CM	11+2
600	80 CM			83 CM	11+2
650	85 CM			92 CM	13+2
700	90 CM			100 CM	15+2
750	95 CM			100 CM	15+2
800	100 CM			110 CM	17+2
850	105 CM			110 CM	17+2
900	110 CM	120 CM	19+2		
950	115 CM	120 CM	19+2		
1000	115 CM	130 CM	21+2		
1050	115 CM	130 CM	21+2		
1100	120 CM	140 CM	23+2		
1150	120 CM				
1200	120 CM				



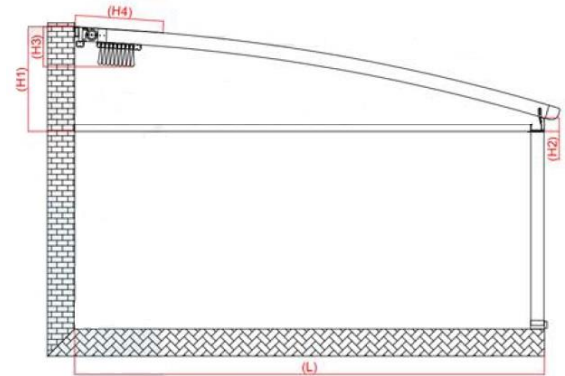
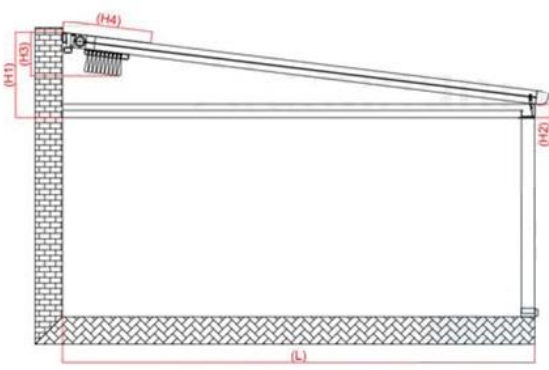
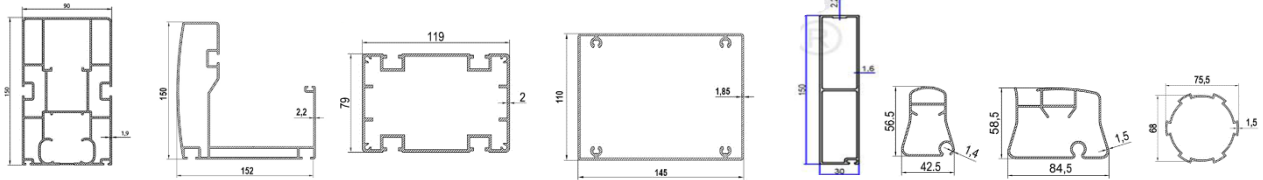
PROJECTION (L)	H(1)	H(2)	H(3)	H(4)	FABRIC PROFILE
300	68 CM	15 CM	50 CM	56 CM	5+2
350	74 CM		51 CM	56 CM	5+2
400	80 CM		52 CM	65 CM	7+2
450	86 CM		53 CM	65 CM	7+2
500	92 CM		54 CM	74 CM	9+2
550	99 CM		55 CM	74 CM	9+2
600	105 CM		56 CM	83 CM	11+2
650	111 CM		57 CM	83 CM	11+2
700	117 CM		58 CM	92 CM	13+2
750	123 CM		59 CM	92 CM	13+2
800	130 CM		60 CM	100 CM	15+2
850	136 CM		61 CM	100 CM	15+2
900	142 CM	62 CM	110 CM	17+2	
950	148 CM	63 CM	110 CM	17+2	
1000	155 CM	64 CM	120 CM	19+2	
1050	161 CM	65 CM	120 CM	19+2	
1100	167 CM	66 CM	130 CM	21+2	
1150	174 CM	67 CM	130 CM	21+2	
1200	179 CM	68 CM	140 CM	23+2	

PROJECTION (L)	H(1)	H(2)	H(3)	H(4)	FABRIC PROFILE
300	75 CM	15 CM	50 CM	56 CM	5+2
350	85 CM		51 CM	56 CM	5+2
400	95 CM		52 CM	65 CM	7+2
450	105 CM		53 CM	65 CM	7+2
500	115 CM		54 CM	74 CM	9+2
550	125 CM		55 CM	74 CM	9+2
600	135 CM		56 CM	83 CM	11+2
650	145 CM		57 CM	83 CM	11+2
700	155 CM		58 CM	92 CM	13+2
750	165 CM		59 CM	92 CM	13+2
800	175 CM		60 CM	100 CM	15+2
850	185 CM		61 CM	100 CM	15+2
900	195 CM	62 CM	110 CM	17+2	
950	205 CM	63 CM	110 CM	17+2	
1000	215 CM	64 CM	120 CM	19+2	
1050	225 CM	65 CM	120 CM	19+2	
1100	235 CM	66 CM	130 CM	21+2	
1150	245 CM	67 CM	130 CM	21+2	
1200	255 CM	68 CM	140 CM	23+2	

90x150 RAIL SYSTEM MEASUREMENT LIST



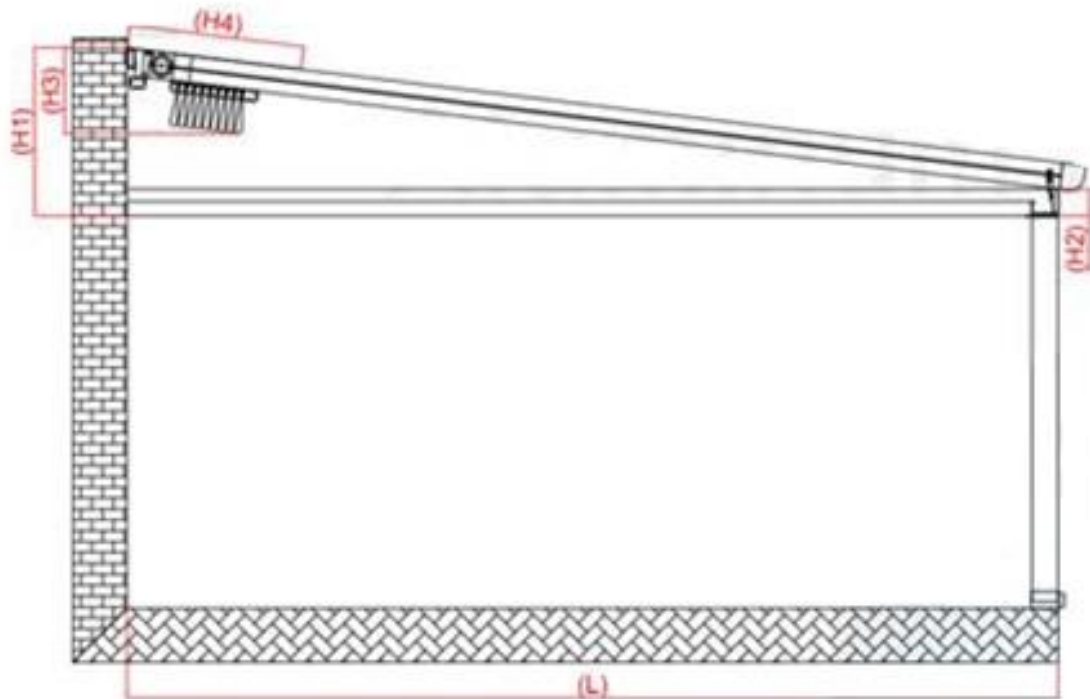
PROJECTION (L)	H(1)	H(2)	H(3)	H(4)	FABRIC PROFILE
300	50 CM	15 CM	41 CM	56 CM	5+2
350	55 CM			56 CM	5+2
400	60 CM			65 CM	7+2
450	65 CM			65 CM	7+2
500	70 CM			74 CM	9+2
550	75 CM			74 CM	9+2
600	80 CM			83 CM	11+2
650	85 CM			83 CM	11+2
700	90 CM			92 CM	13+2
750	95 CM			92 CM	13+2
800	100 CM			100 CM	15+2
850	105 CM			100 CM	15+2
900	110 CM			110 CM	17+2



PROJECTION (L)	H(1)	H(2)	H(3)	H(4)	FABRIC PROFILE
300	75 CM	15 CM	50 CM	56 CM	5+2
350	85 CM		51 CM	56 CM	5+2
400	95 CM		52 CM	65 CM	7+2
450	105 CM		53 CM	65 CM	7+2
500	115 CM		54 CM	74 CM	9+2
550	125 CM		55 CM	74 CM	9+2
600	135 CM		56 CM	83 CM	11+2
650	145 CM		57 CM	83 CM	11+2
700	155 CM		58 CM	92 CM	13+2

PROJECTION (L)	H(1)	H(2)	H(3)	H(4)	FABRIC PROFILE
300	75 CM	15 CM	50 CM	56 CM	5+2
350	85 CM		51 CM	56 CM	5+2
400	95 CM		52 CM	65 CM	7+2
450	105 CM		53 CM	65 CM	7+2
500	115 CM		54 CM	74 CM	9+2
550	125 CM		55 CM	74 CM	9+2
600	135 CM		56 CM	83 CM	11+2
650	145 CM		57 CM	83 CM	11+2
700	155 CM		58 CM	92 CM	13+2
750	165 CM		59 CM	92 CM	13+2
800	175 CM	60 CM	100 CM	15+2	

70x150 RAIL SYSTEM MEASUREMENT LIST



PROJECTION (L)	H(1)	H(2)	H(3)	H(4)	FABRIC PROFILE
300	75 CM	15 CM	50 CM	56 CM	5+2
350	85 CM		51 CM	56 CM	5+2
400	95 CM		52 CM	65 CM	7+2
450	105 CM		53 CM	65 CM	7+2
500	115 CM		54 CM	74 CM	9+2

